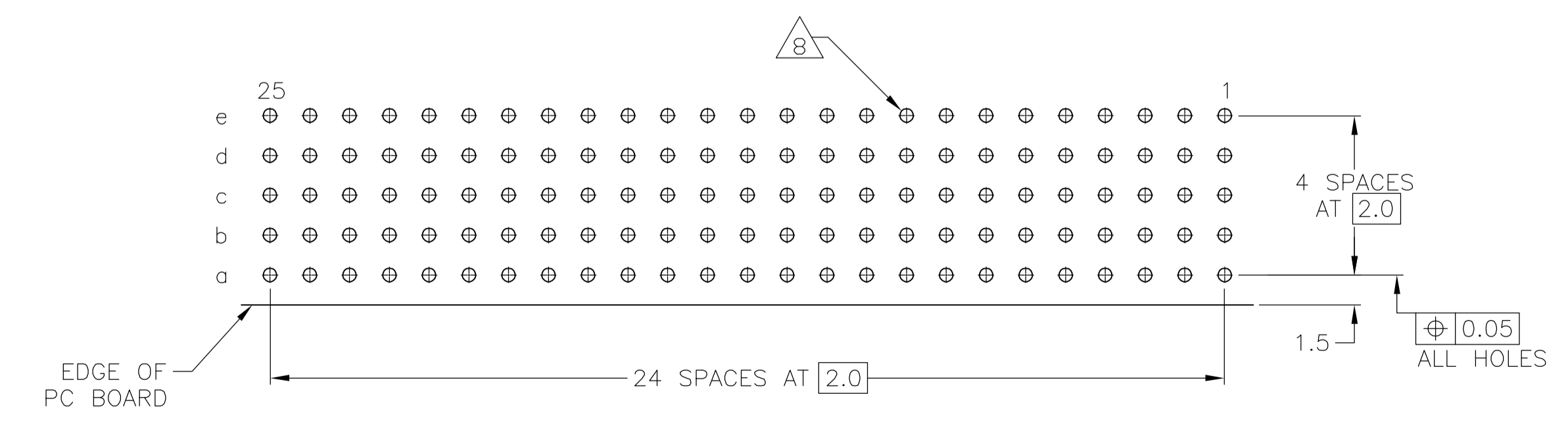
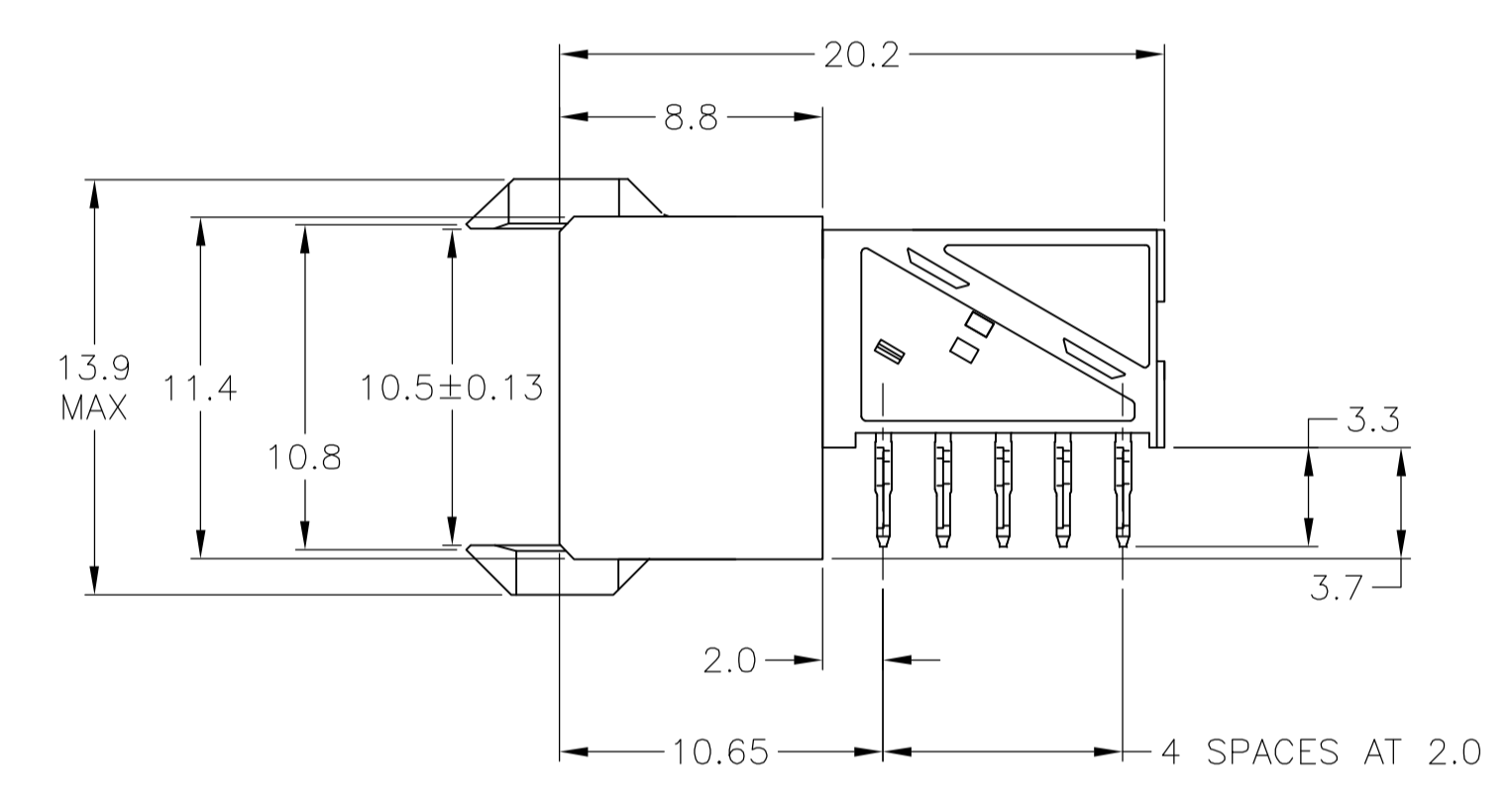
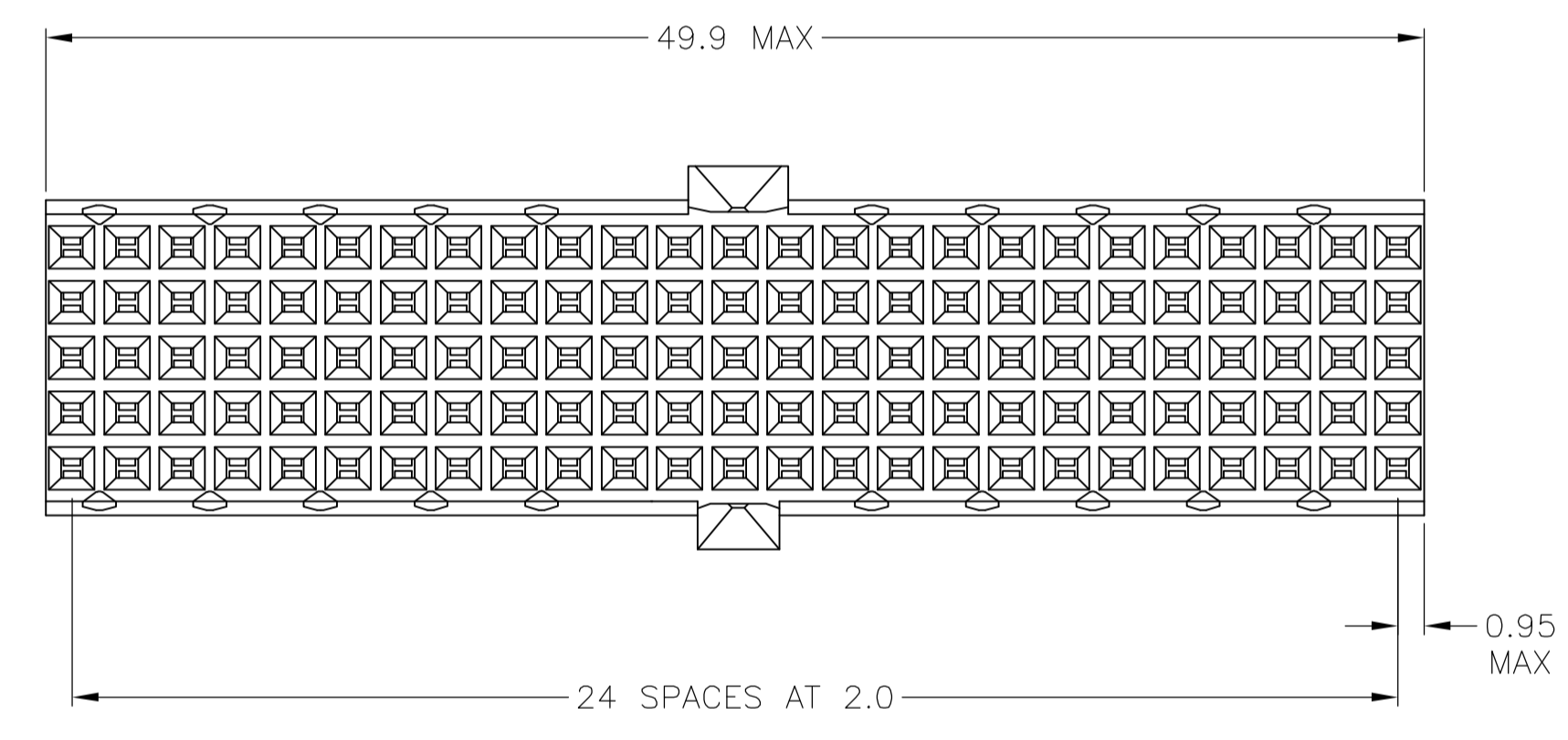


SECTION A-A

- 1 MATERIAL:
CONTACT: PHOSPHOR BRONZE.
HOUSING: GLASS-FILLED POLYESTER.
- 2 GENERAL PLATING SPECIFICATION: UNDERPLATING (ENTIRE CONTACT): 1.27µm MIN NICKEL AND ACTION PIN: 0.5µm MIN TIN.
FOR PLATING OF MATING SURFACES SEE APPLICABLE SPECIFICATION REFERENCE FOR EACH DASH NUMBER.
- 3 CONFORMS TO ALL TESTING ACCORDING TO IEC 61076-4-101 PERFORMANCE LEVEL 2.
- 4 CONFORMS TO ALL TESTING ACCORDING TO IEC 61076-4-101 PERFORMANCE LEVEL 1.
- 5 CONNECTOR TESTED AND QUALIFIED AGAINST TELCORDIA GR-1217-CORE QUALITY LEVEL 3, CENTRAL OFFICE APPLICATIONS.
- 6 CONNECTOR TESTED AND QUALIFIED AGAINST TELCORDIA GR-1217-CORE QUALITY LEVEL 3, UNCONTROLLED ENVIROMENT APPLICATIONS.
- 7 CONNECTOR MARKED WITH PART NUMBER AND DATE CODE.
ADDITIONAL CHARACTERS OR MARKINGS, AS WELL AS THE LOCATION OF THE MARKINGS, MAY BE ADDED FOR TRACEABILITY BASED UPON MANUFACTURERS DISCRETION.
- 8 HOLE PATTERN FOR FEMALE CONNECTOR TYPE A/B 125 PLATED-THROUGH HOLES AT 2x2mm SQUARE GRID.
- 9 CONNECTOR LUBRICATED WITH BELLCORE APPROVED LUBRICANT.
TECHNICAL REFERENCE TR-NWT-001217 ISSUE 1, SEPT 1992.



RECOMMENDED PCB LAYOUT
(COMPONENT SIDE AS SHOWN)

PCB HOLE DIM ACTION PIN
FOR DETAILS SEE APPLICATION SPECIFICATION

2	6	9	1-5646574-9
2	5	9	5646574-9
2	4	4	5646574-4
2	3	3	5646574-1
FINISH		PART NUMBER	

THIS DRAWING IS A CONTROLLED DOCUMENT.		DWG: B CARBO 11MAR05	Tyco Electronics Corporation	
DIMENSIONS: mm		CHK: G SKIPPER 11MAR05	Harrisburg, PA 17105-3608	
TOLERANCES UNLESS OTHERWISE SPECIFIED:		APVD: G SKIPPER 11MAR05	NAME: RECEPTACLE ASSEMBLY, Z-PACK	
0 PLC ± -		PRODUCT SPEC	Z-PACK 2mm HM, TYPE A/B	
1 PLC ± -		108-19082		
2 PLC ± -		APPLICATION SPEC		
3 PLC ± -		114-19029		
4 PLC ± -		SIZE: A1	CAGE CODE: 00779	DRAWING NO: 5646574
ANGLES ± ± -		WEIGHT: -	SCALE: 4:1	SHEET 1 OF 1
MATERIAL: 1	FINISH: SEE TABLE	CUSTOMER DRAWING		REV: A